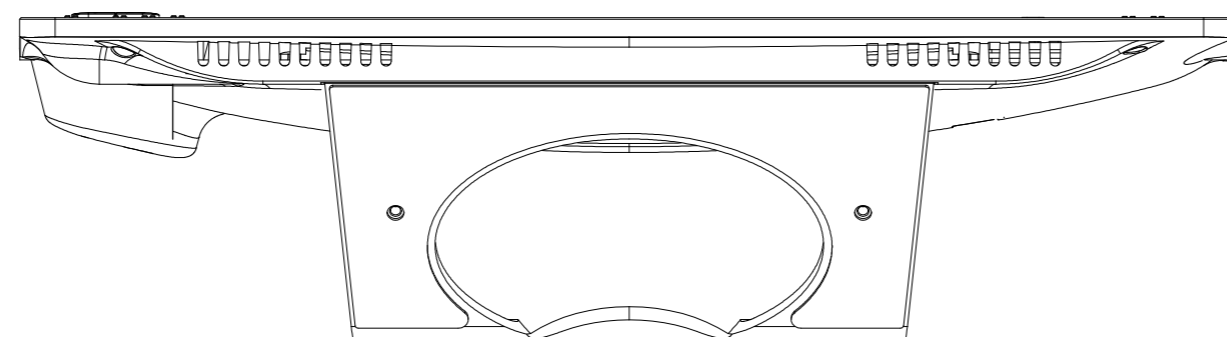
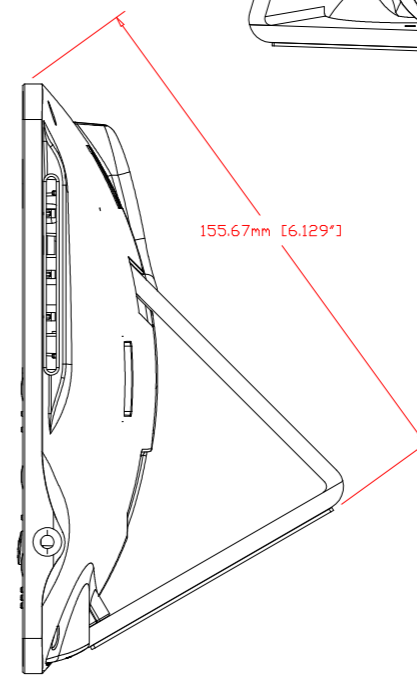
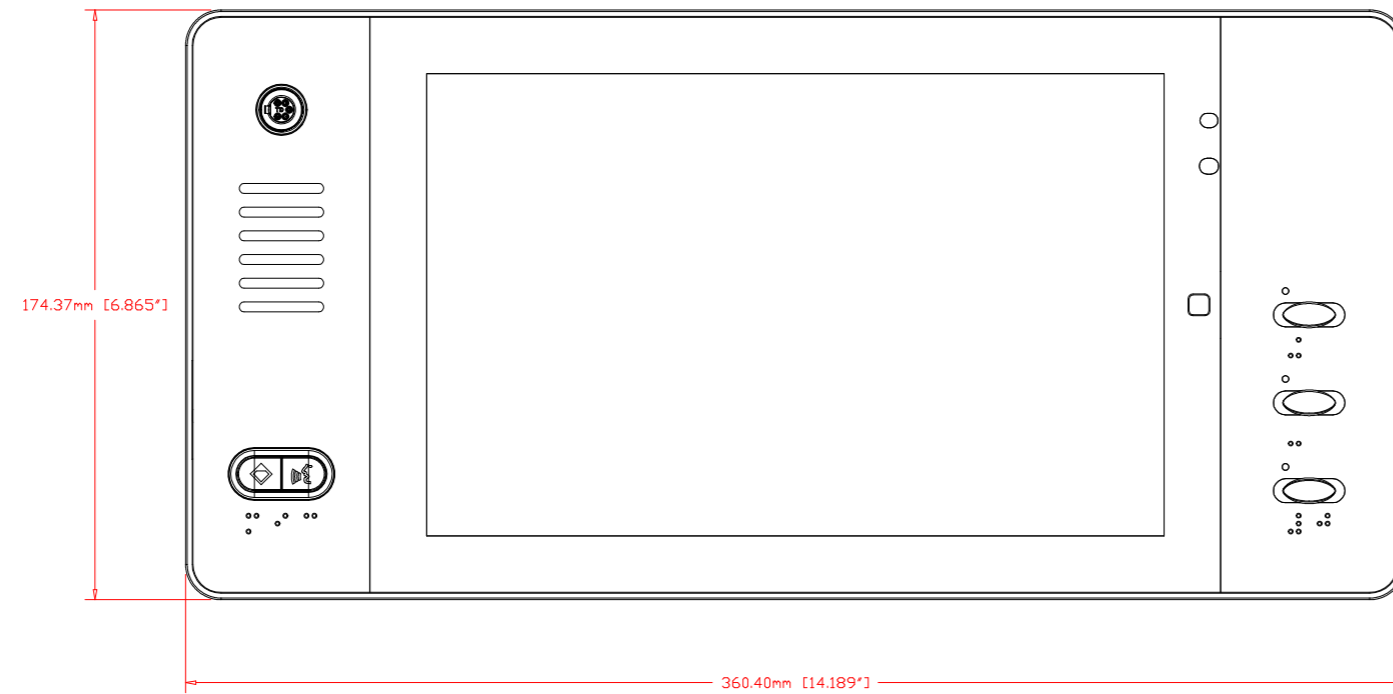
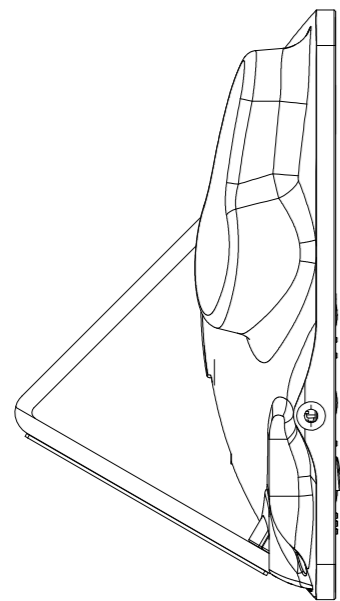
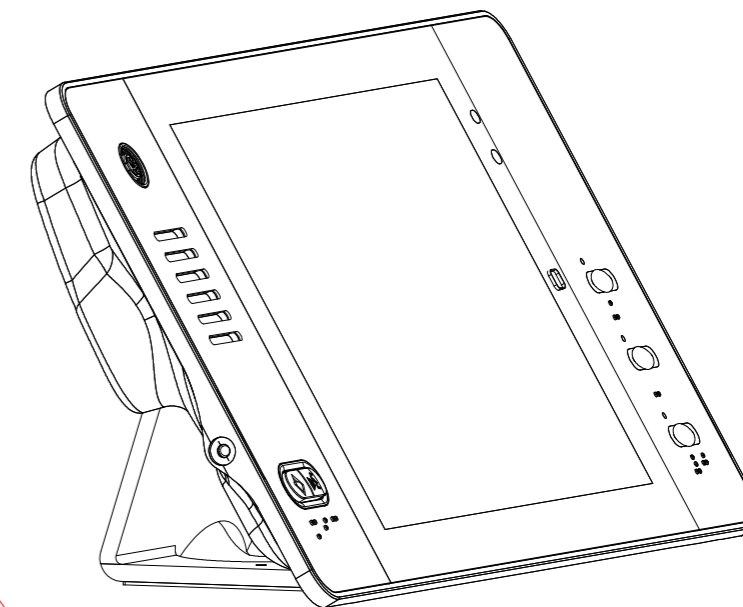
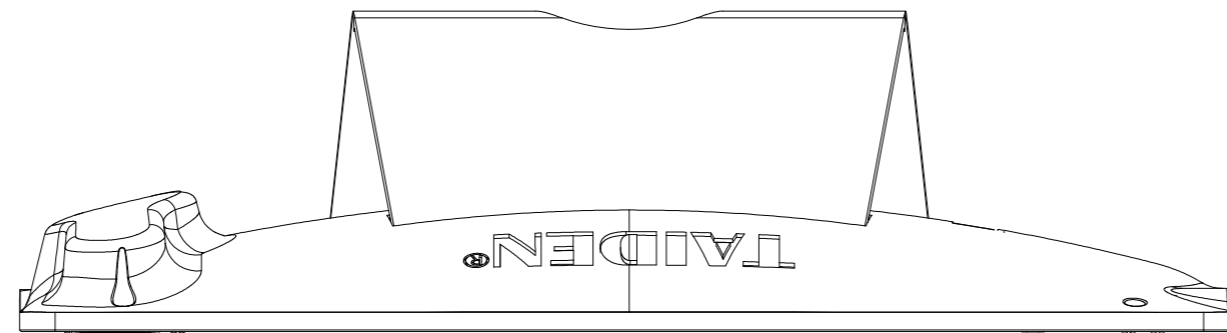


NO.	DESCRIPTION	DATE

Dimensions of HCS-8638BCE Series



PROJECT NAME		PROJECT NO.	
DRAWING NAME		DRAWING NO.	
DESIGNED BY	DATE	SCALE	UNIT
CHECK BY	DATE		
APPROVAL BY	DATE		