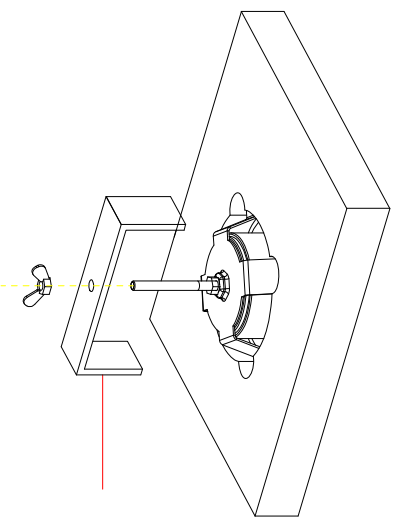
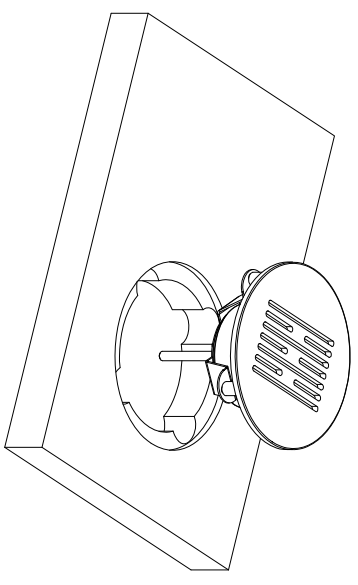
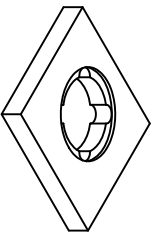
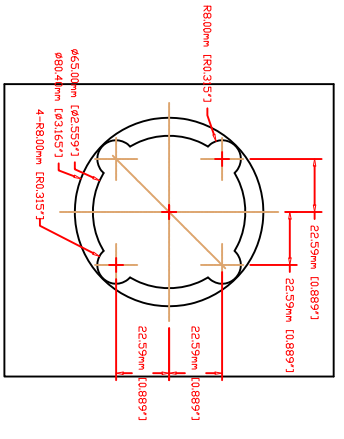
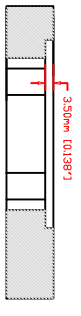
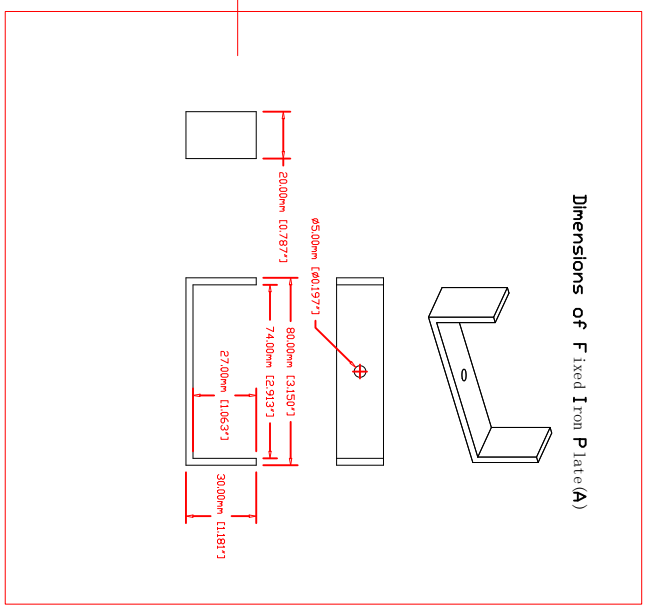


NO.	DESCRIPTION	DATE

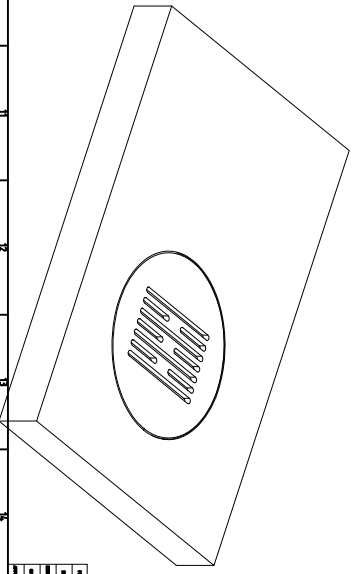
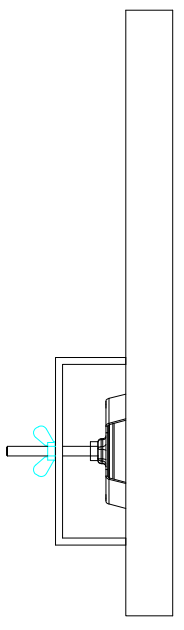
Dimensional diagram



Fixed Iron Plate (A)



Dimensions of Fixed Iron Plate(A)



NO.	DESCRIPTION	DATE