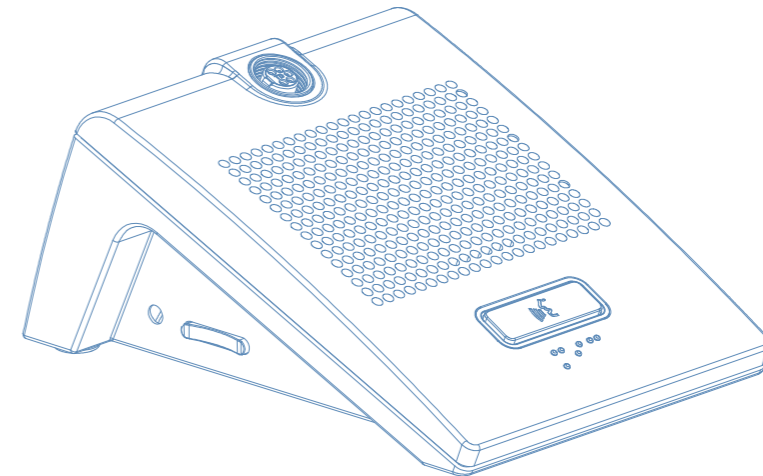
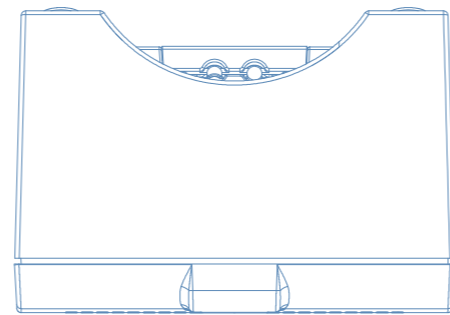
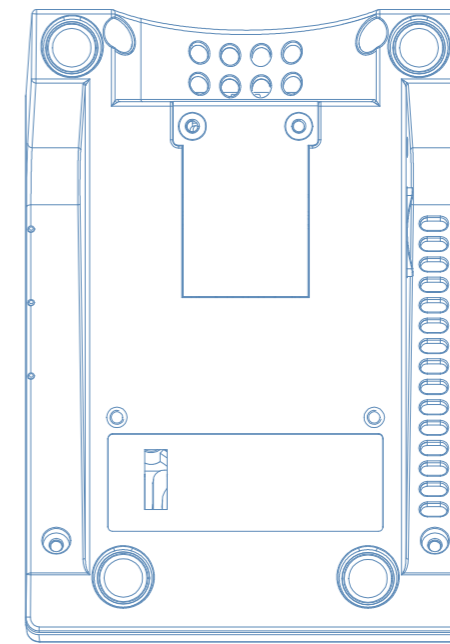
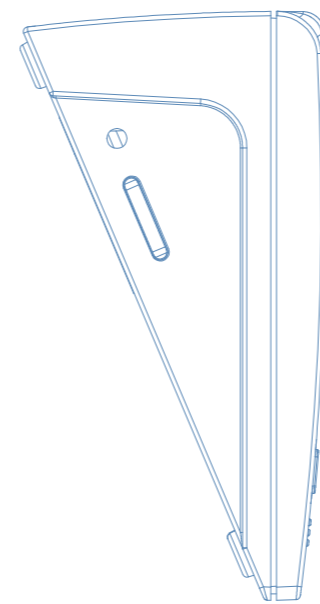
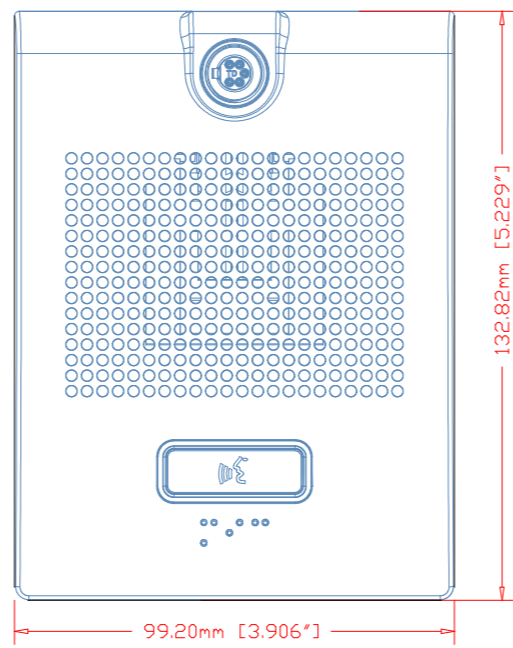
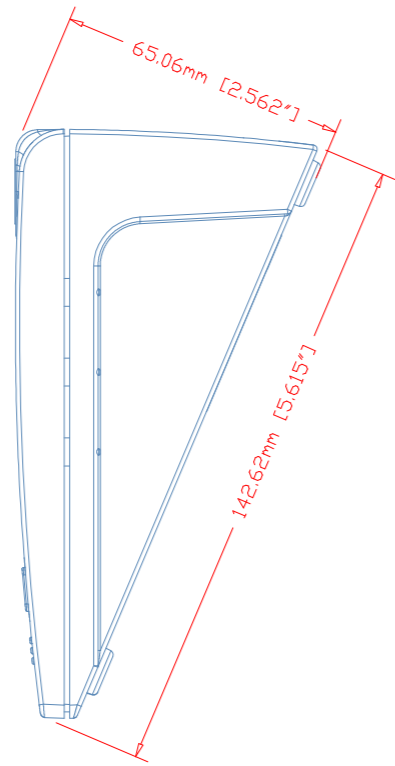
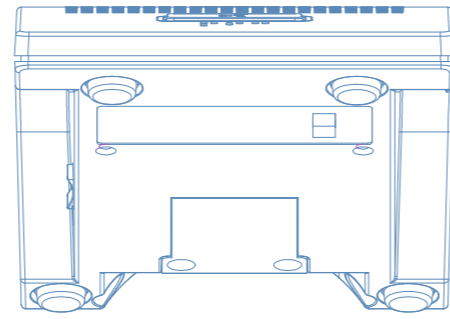


HCS-3940D

NO.	DESCRIPTION	DATE



PROJECT NAME		PROJECT NO.	
DRAWING NAME		DRAWING NO.	
DESIGNED BY: Z J Y	DATE: 2022-10-25	SCALE: 1:1	UNIT: mm
CHECK BY:	DATE:	UNIT:	
APPROVAL BY:	DATE:	TAVIDEN INDUSTRIAL CO., LTD.	