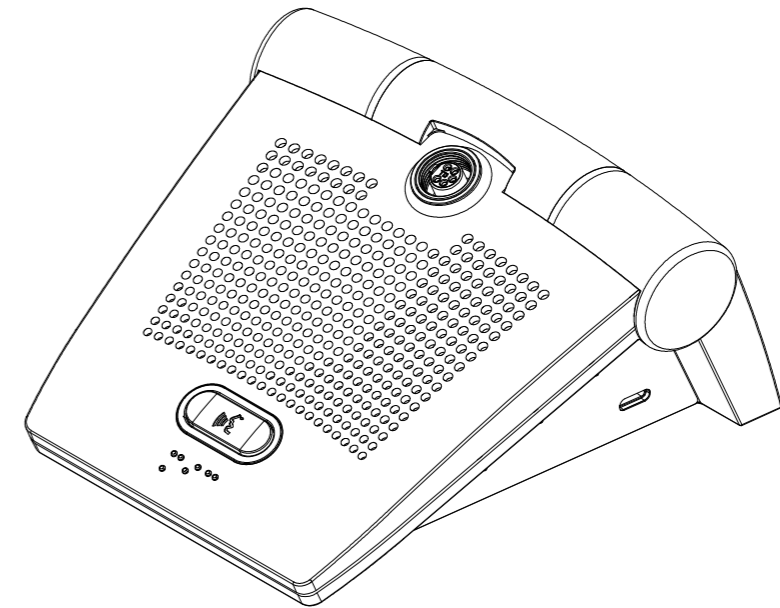
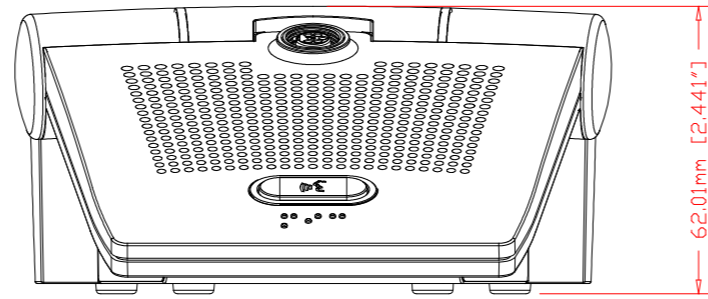
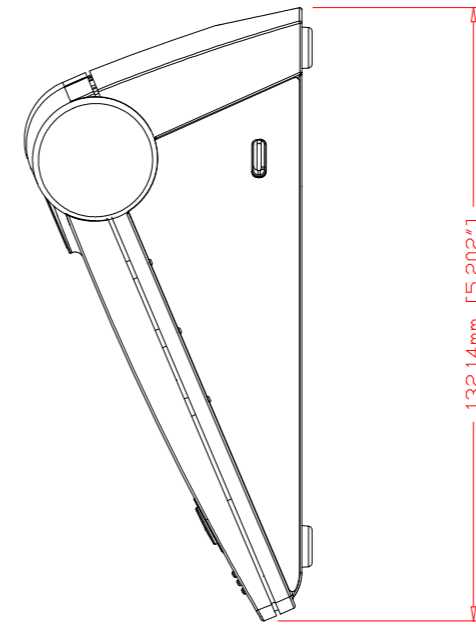
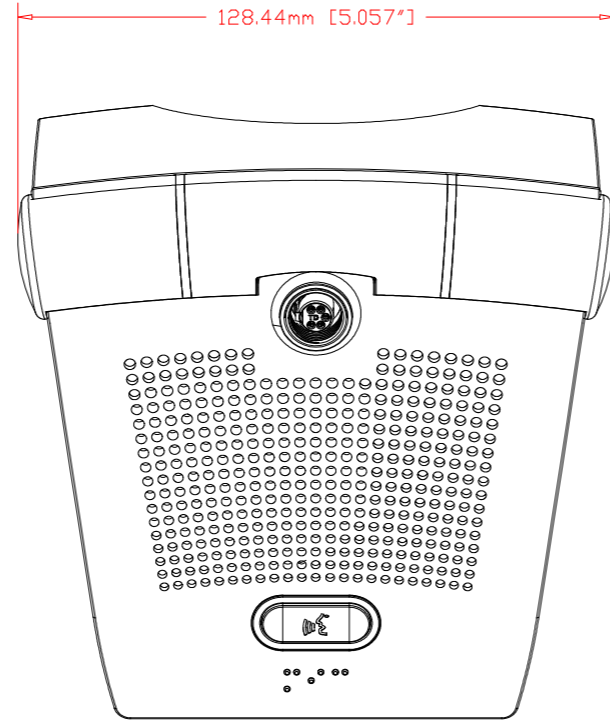
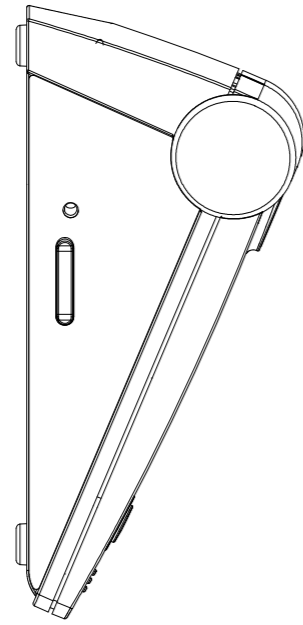


HCS-5381D



PROJECT NAME		PROJECT NO.		
DRAWING NAME		DRAWING NO.		
DESIGNED BY	DATE	2011-3-30	SCALE	1:1
CHECK BY	DATE		UNIT	
APPROVAL BY	DATE	TANIDEN™ TANIDEN INDUSTRIAL CO., LTD.		